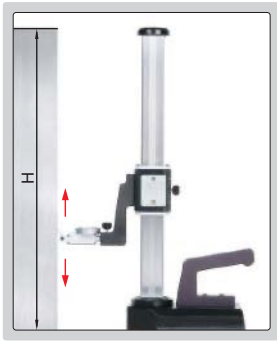
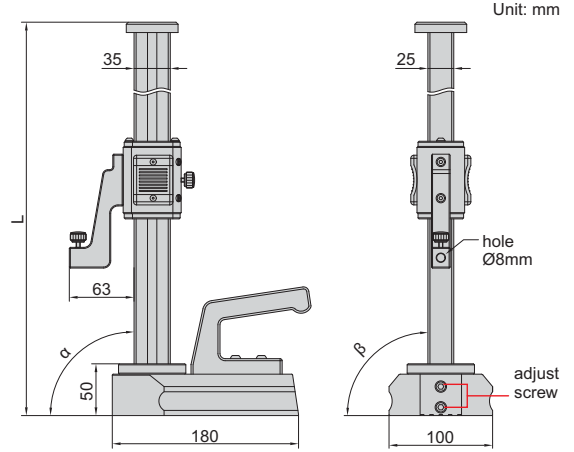


## PERPENDICULARITY TESTERS



dial test indicator is optional



- Optional accessory:  
dial test indicators (graduation: 1 $\mu$ m or 2 $\mu$ m)

4770-300

Code	Range (H)	Perpendicularity ( $\alpha$ )	Side perpendicularity ( $\beta$ )	L
4770-300	0-300mm	3 $\mu$ m	10 $\mu$ m	460mm
4770-600	0-600mm	5 $\mu$ m	20 $\mu$ m	760mm

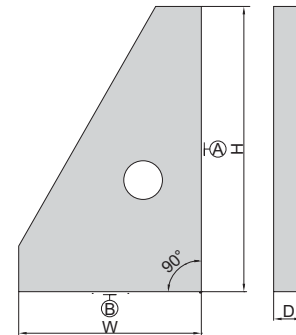
10

## GRANITE SQUARES

CUSTOM-MADE  
SUPPLY SPECIAL SIZES ACCORDING  
TO CUSTOMER'S REQUEST



4141-250



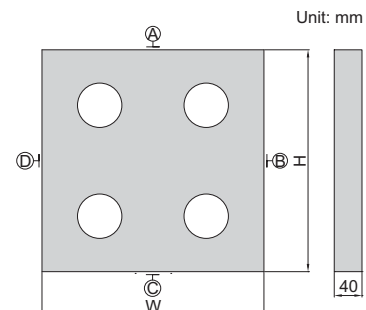
Code	Size (HxW)	Flatness of A	Flatness of B	Squareness of A to B	D
4141-250	250x160mm	1 $\mu$ m	1 $\mu$ m	2 $\mu$ m	25mm
4141-400	400x250mm	1.5 $\mu$ m	1 $\mu$ m	3 $\mu$ m	40mm
4141-630	630x400mm	2 $\mu$ m	1.5 $\mu$ m	4 $\mu$ m	63mm

## GRANITE SQUARE

CUSTOM-MADE  
SUPPLY SPECIAL SIZES ACCORDING  
TO CUSTOMER'S REQUEST



4144-315



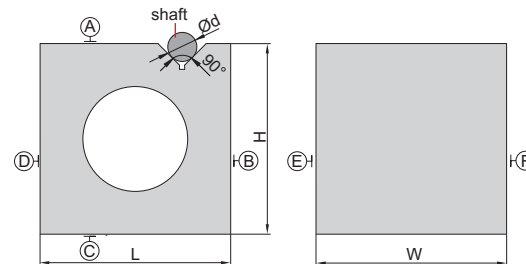
Code	Size (HxW)	Flatness of A, B, C and D	Squareness and parallelism between A, B, C and D
4144-315	315x315mm	1.1 $\mu$ m	2.6 $\mu$ m

## GRANITE SQUARE WITH V GROOVE

- Parallelism and squareness of A, B, C, D, E and F:  $6\mu\text{m}$
- Parallelism and squareness of V groove to A, B, C, D, E and F:  $6\mu\text{m}$



4142-200



Code	Size (LxWxH)	Range of shaft (Ød)
4142-200	200x200x200mm	9~70mm