

6. BS-6005 Inverted Metallurgical Microscope



Introduction

BS-6005 series inverted metallurgical microscopes adopt professional metallurgical objective and plan eyepiece to provide superior image, high resolution and comfortable observation. They combine bright field, dark field and polarizing observation. They are widely used in teaching and research of metallographic analysis, semiconductor silicon wafer inspection, geology mineral analysis, precision engineering and similar fields.

Feature

1. Dark field objectives are available, make observation in dark & bright field.
2. Wide view field eyepiece, view field up to 22mm for comfortable observation.



3. 12V/50W Halogen lamp provide high intensity illumination, can detect the details better.
4. High quality bright field, bright field&dark field metallurgical objective.



Metallurgical LWD Infinite Plan Objectives



Metallurgical LWD Infinite Plan Objectives for Bright & Dark Field

5. Large size (210 mm×180mm) three-layer working stage, more choice for samples.

6. Light distribution (both): 100 : 0 (100% for eyepiece); 80 : 20 (80% for trinocular head and 20% for eyepiece), easy to use camera and have high definition and high resolution images.



7. Polarizing set is standard.



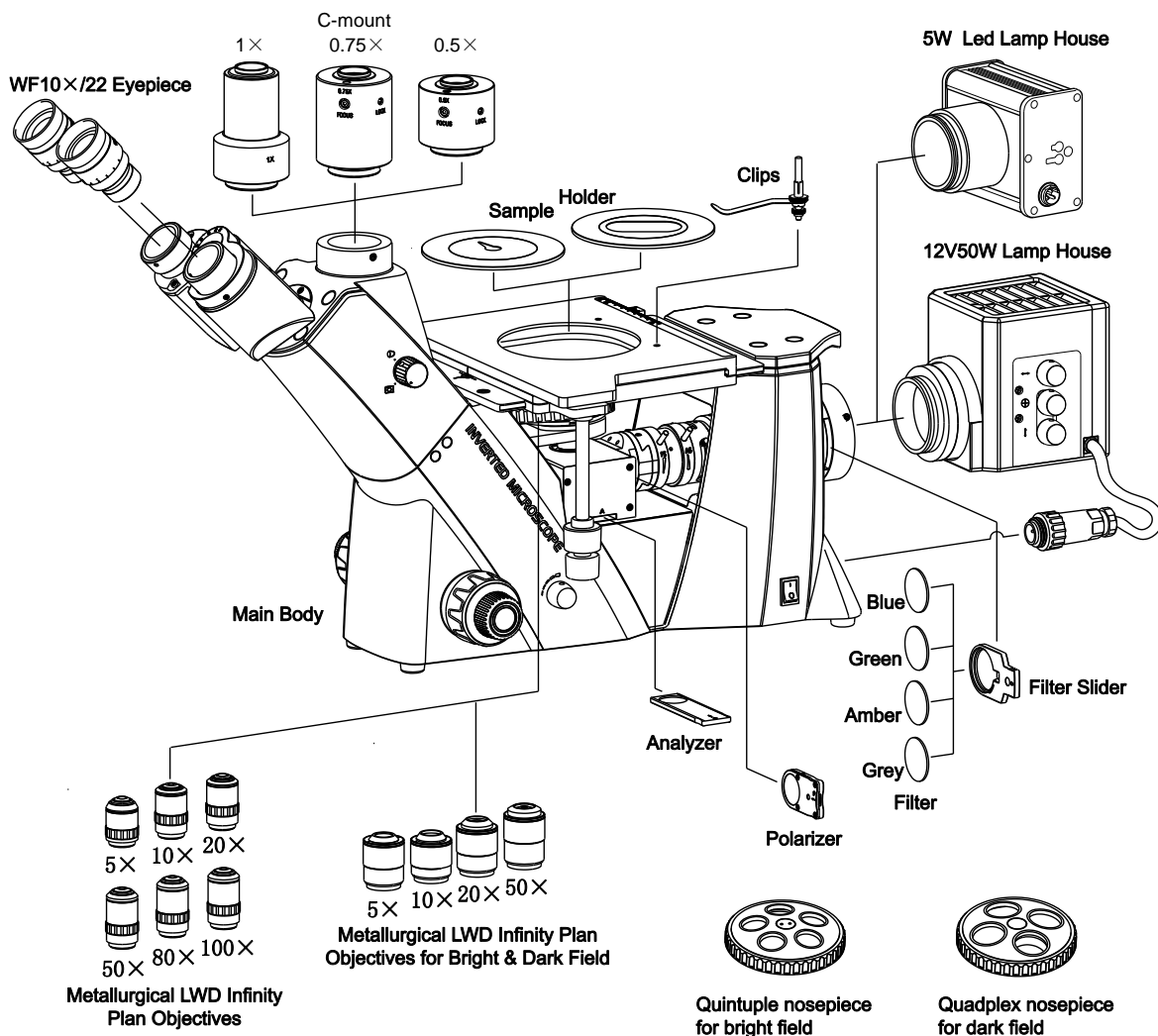
Specification

Item	Specification	BS-6005	BS-6005D
Optical System	Infinite optical system	•	•
Viewing Head	Seidentopf trinocular viewing head, 45° inclined, Interpupillary distance: 48-76mm, Light distribution (both): 100: 0 (100% for eyepiece), 80:20 (80% for trinocular head and 20% for eyepiece)	•	•
Eyepiece	WF10× / 22mm (adjustable)	•	•
	WF10× / 22mm (adjustable, reticule 0.1mm)	•	•
Metallurgical LWD Infinite Plan Objectives	LPL 5×/0.13, WD=16.04mm	•	○
	LPL 10×/0.25, WD=18.48mm	•	○
	LPL 20×/0.40, WD=8.35mm	•	○
	LPL 50×/0.70, WD=1.95mm	•	○
	LPL 80×/0.80, WD=0.85mm	○	○
Metallurgical LWD Infinite Plan Objectives for Bright & Dark Field	LPL 100×/0.9(Dry), WD=1.1mm	○	○
	M Plan 5×/0.13 BD, WD=16.04mm		•
	M Plan 10×/0.25 BD, WD=18.48mm		•
	M Plan 20×/0.40 BD, WD=8.35mm		•
Nosepiece	M Plan 50×/0.70 BD, WD=1.95mm		•
	Quintuple nosepiece	•	
	Quadruple nosepiece (specially for bright&dark field objectives)		•
Focusing	Low position coaxial coarse and fine adjustment. With tightness adjustment. Coarse stroke per rotation 10mm, fine stroke per rotation 0.2mm; fine division 2μm.	•	•

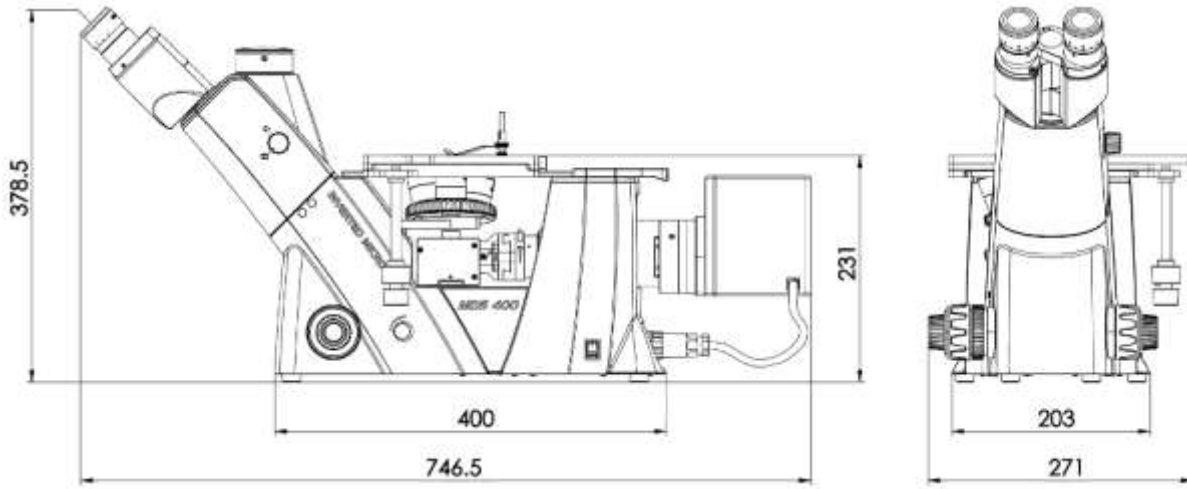
Stage	Three-layers mechanical stage, size 210mm×180mm, right hand low position control, Moving range 50mm× 50mm, scale 0.1mm	●	●
Illumination	Reflected Koehler illumination with iris diaphragm and centerable field diaphragm, 12V/50W Halogen (Input voltage: 100V-240V)	●	●
	Reflected Koehler illumination with iris diaphragm and centerable field diaphragm, 5W LED lamp (Input voltage: 100V-240V)	○	○
Auto power on-off system	Power off automatically upon user leaving 10 minutes, power on automatically upon user approaching	○	○
Polarizing kit	Polarizer and the analyzer	●	●
Filter	Blue filter	●	●
	Green/ Amber/ Grey	○	○
Video Adapter	1× C-mount adapter, focus adjustable	○	○
	0.75× C-mount adapter, focus adjustable	○	○
	0.5× C-mount adapter, focus adjustable	○	○
Packing	Packing Size: 660mm×590mm×325mm, Gross Weight: 17 kgs, Net Weight: 12.5 kgs	●	●

Note: ● Standard Outfit, ○ Optional

System Diagram



Dimension



Unit: mm