

## BS-2093A Inverted Biological Microscope



BS-2093A



BS-2093AFL

### Introduction

BS-2093A Inverted Biological Microscope is a high level microscope which is specially designed for medical and health units, universities, research institutes to observe cultured living cells. With an innovative infinite optical system and ergonomic design, it has excellent optical performance and easy to operate features. This inverted biological microscope makes your work enjoyable. Digital cameras can be added to the trinocular head to take photos, videos and make measurement.

### Feature

1. Excellent infinite optical system, Wide field eyepiece, view field up to  $\Phi 22\text{mm}$ , more comfortable for observation.
2. More objectives can be installed on the large diameter quintuple nosepiece, easier to change objective.
3. Light distribution (both): 100 : 0 (100% for eyepiece); 80 : 20 (80% for trinocular head and 20% for eyepiece).



4. Long working distance condenser N.A. 0.30, Working distance: 72mm(with condenser), Working distance: 195mm (without condenser), available for extra high culture dishes.
5. Large size stage, convenient for research. Size: 210mm(X)  $\times$  240 (Y)mm, Moving range: 128mm (X)  $\times$  80 (Y)mm.

Mechanical stage available for 96 holes plate.



### 6. Culture Dish Holder



Ø65mm      Ø54mm      Ø35mm      blood cell counter holder



7. Knob of X-Y mechanical stage can be changed by left or right.

8. Infinite plan 4X phase contrast objective is available.



LWD Infinite Plan Phase Contrast Objectives

## Application

BS-2093A Inverted microscope is used by medical and health units, universities, research institutes for observations of micro-organisms, cells, bacteria and tissue cultivation. It can be used for continuous observation of process of cells, bacteria grow and divide in the culture medium. Videos and images can be taken during the process. This microscope is widely used in cytology, parasitology, oncology, immunology, genetic engineering, industrial microbiology, botany and other fields.

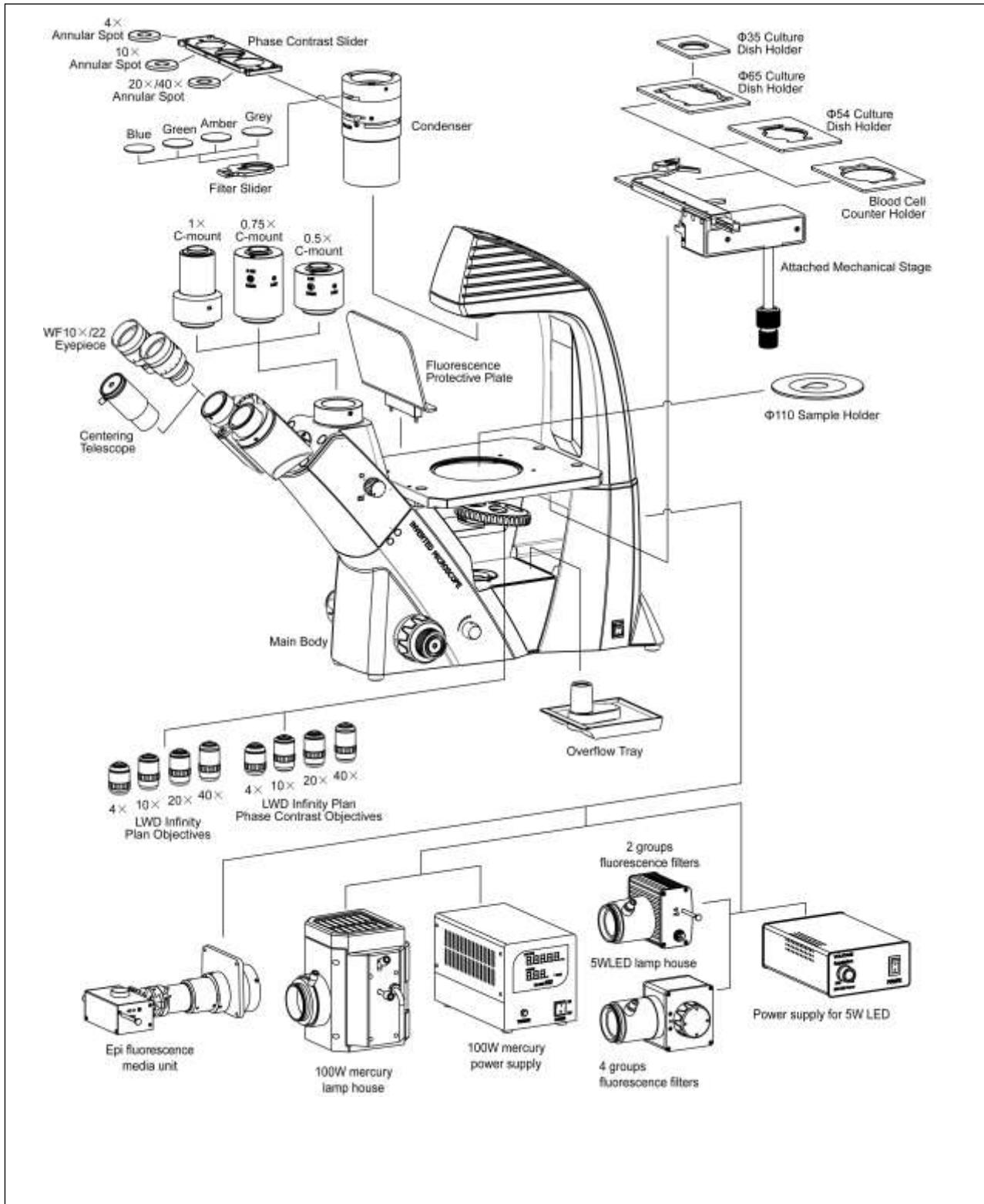
## Specification

Item	Specification	BS-2093A	BS-2093AFL	BS-2093 AFL(LED)
Optical System	Infinite Optical System	•	•	•
Viewing Head	Seidentopf Trinocular Head, Inclined at 45°, Interpupillary Distance 48-76mm, Light distribution (both): 100: 0 (100% for eyepiece), 80:20 (80% for trinocular head, and 20% for eyepiece), Eyepiece Tube Diameter 30mm	•	•	•
Eyepiece	Wide Field Eyepiece WF10×/ 22mm	•	•	•
	Wide Field Eyepiece WF15×/ 16mm	○	○	○
	Wide Field Eyepiece WF20×/ 12mm	○	○	○
Objective	4×/0.11, W.D.=12.1mm	•	•	•

	Long Working Distance Infinite Plan Achromatic Objective	10×/0.25, W.D.=8.3mm	○	○	○
		20×/0.40, W.D.=7.2mm	○	○	○
		40×/0.60, W.D.=3.4mm	○	○	○
	Long Working Distance Infinite Plan Achromatic Phase Contrast Objective	4×/0.10, W.D.=9.2mm	○	○	○
		10×/0.25, W.D.=8.3mm	●	●	●
		20×/0.40, W.D.=7.2mm	●	●	●
	40×/0.60, W.D.=3.4mm	●	●	●	
Nosepiece	Backward Quintuple Nosepiece	●	●	●	
Condenser	Long Working Distance Condenser, N.A. 0.3, Working Distance 72mm (with condenser), 195mm (without condenser)	●	●	●	
Centering Telescope	Centering Telescope (Φ30mm)	○	○	○	
Phase Annulus	10×, 20×, 40× Phase Annulus Plate	●	●	●	
	4× Phase Annulus Plate	○	○	○	
Stage	Plain Stage 210(X)×240mm(Y), round slide plate: Φ110mm	●	●	●	
	Attachable Mechanical Stage, X-Y Coaxial Control, Moving Rang: 128mm×80mm	●	●	●	
	Petri Dish Holder Φ65mm	○	○	○	
	Petri Dish Holder Φ54mm	●	●	●	
	Petri Dish Holder Φ35mm	○	○	○	
	Blood cell counter Holder	○	○	○	
Focusing	Coaxial Coarse and Fine Adjustment, Fine Division 0.002mm, Moving Range 10mm	●	●	●	
Koehler Illumination	6V/30W Halogen Lamp, Brightness Adjustable, input voltage: 100V-240V	●	●	●	
	5W LED Lamp, Brightness Adjustable, input voltage: 100V-240V	○	○	○	
Filter	Blue Filter, Diameter 32mm	●	●	●	
	Green Filter, Diameter 32mm	●	●	●	
	Amber/Grey Filter, Diameter 32mm	○	○	○	
C-mount	0.5× C-mount Adapter (focus adjustable)	●	●	●	
	0.75× C-mount Adapter (focus adjustable)	○	○	○	
	1× C-mount Adapter (focus adjustable)	○	○	○	
Epi-Fluorescent Attachment	Epi-fluorescence attachment with 100W mercury lamp and B, G fluorescent filters, field diaphragm, center adjustable.	○	●	○	
	Epi-fluorescence attachment with 5W LED lamp and B, G fluorescent filters, field diaphragm, center adjustable.	○	○	●	
	V, UV fluorescent filters	○	○	○	
Packing	1carton/set, Size: 66×59×33cm, GW: 18kgs, NW: 14kgs	●			
	2cartons/set, carton 1 Size: 52×47×49cm, GW: 18kgs, NW: 14kgs; carton 2 Size: 52×47×24cm, GW: 6kgs, NW: 4kgs		●		
	1carton/set, Size: 52×47×49cm, GW: 23kgs, NW: 18kgs			●	

Note: ● Standard Outfit, ○ Optional

## System Diagram



## Fluorescent Attachment

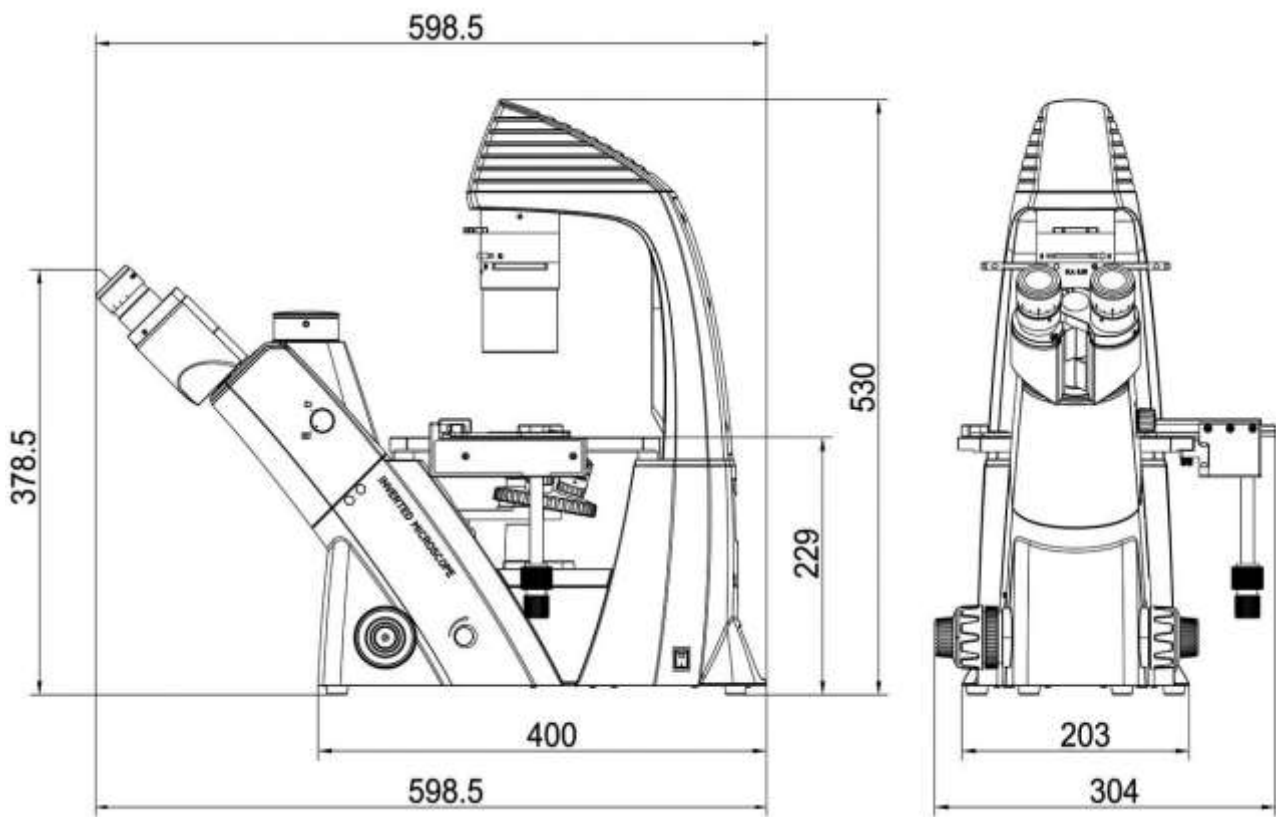


LED fluorescent attachment for BS-2093AFL(LED)



Mercury fluorescent attachment for BS-2093AFL

## Dimension



Unit: mm