

3. BS-6002R/TR Metallurgical Microscope



BS-6002TR



BS-6002TTR

Introduction

BS-6002R/TR Series metallurgical microscopes are high level professional microscopes which are specially designed for metallurgical analysis. With excellent optical system, ingenious stand and convenient operation, they will be your best choice.

Features

1. Infinite optical system provide excellent resolution and definition.
2. Infinite long working distance objective, provide wide space for specimens.
3. Powerful transmitted and reflected system with Kohler illumination.
4. Polarizing attachment and other accessories are available.

Application

BS-6002R/TR series metallurgical microscopes are widely used in institutes and laboratories to observe and identify the structure of various metal and alloy, they also can be widely used in electronics, chemical and instrumentation industry, observe the opaque material and transparent material, such as metal, ceramics, integrated circuits, electronic chips, printed circuit boards, LCD panels, film, powder, toner, wire, fibers, plated coatings, and other non-metallic materials and so on.

Specification

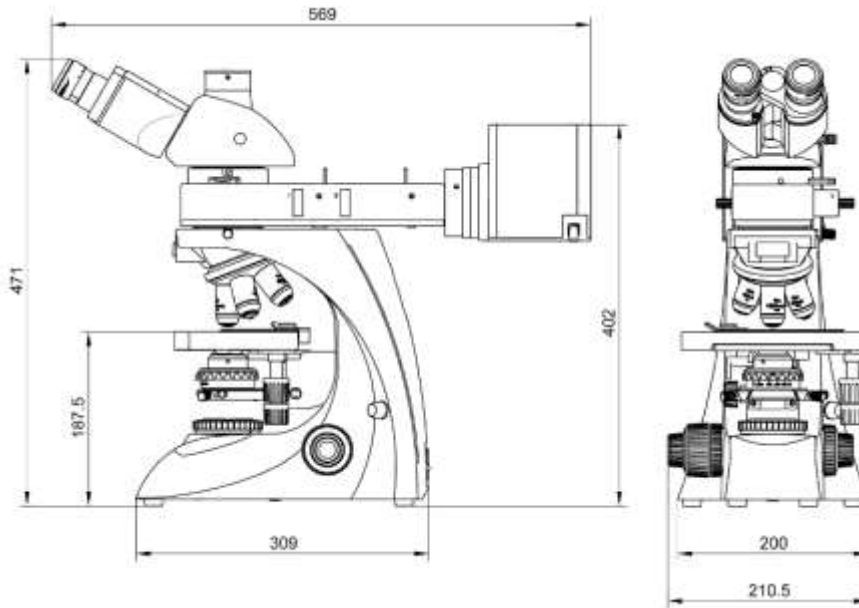
Item	Specification	BS-6002 BR	BS-6002 BTR
Optical System	Infinite Optical System	•	•
Viewing Head	Seidentopf Binocular Head, Inclined 30°, Rotatable 360°, Interpupillary Distance: 48-76mm, Tube diameter: 30mm	•	•

	Seidentopf Trinocular Head, Inclined 30°, Rotatable 360°, Interpupillary Distance: 48-76mm, Tube diameter: 30mm. Light distribution (both): 100: 0 (100% for eyepiece), 80:20 (80% for trinocular head and 20% for eyepiece)		○	○
Eyepieces	WF10× / 22mm (adjustable)		●	●
	WF10× / 22mm (adjustable , reticule 0.1mm)		●	●
Long Working Distance Infinite Plan Objective	5×/0.10	W.D=24.23mm	●	●
	10×/0.25	W.D=18.48mm	●	●
	20×/0.40 (S)	W.D=8.35mm	●	●
	40×/0.65 (S)	W.D=3.90mm	○	○
	50×/0.7 (S)	W.D=1.95mm	●	●
	80×/0.80 (S)	W.D=0.85mm	○	○
	100×/0.90 (S)	W.D=1.00mm	○	○
Nosepiece	Backward Quintuple Nosepiece		●	●
Mechanical Stage	Stage size: 200mm × 150mm, Travel range: 77mm × 52mm. Stage fast lowering unit: Up-Down moving range can be increased to 50mm		●	
	Stage size: 182mm × 140mm, Travel range: 77mm × 52mm Two slid holder, Metal plate size: 200mm x 150mm			●
Focus	Coaxial Coarse and Fine Focusing, Fine Division 0.002mm, Fine Stroke 0.2mm per Rotation, Moving Range 25mm. Tightness adjustment, upper distance limiter		●	●
Micrometer	Stage Micrometer 0.01mm		○	○
Polarizing Unit	Polarizing and Analyzer attachment		●	●
Condenser	Abbe N.A. 1.25 with Iris Diaphragm			●
Illumination	Reflected Illumination, 12V/50W Halogen lamp (Input voltage: 100V~240V), Field diaphragm		●	●
	Transmitted Illumination, 6V/20W Halogen lamp (Input voltage: 100V~240V), Field diaphragm, Center adjustable.			●
Filter	Blue		●	●
	Green		○	○
	Amber		○	○
	Grey		○	○
C-mount Adapter	1× C-mount		○	○
	0.5× C-mount (Focus Adjustable)		○	○
Packing	Packing Size: 750×360×450mm, Gross Weight: 16 kgs, Net Weight: 12kgs		●	●

Note: ●Standard Outfit, ○Optional

Dimension

Unit: mm



Sample Image

