

## BS-2042 Biological Microscope



BS-2042B



BS-2042T

### Introduction

BS-2042 series microscopes are classical biological microscopes with ingenious stand, high definition infinite optical system, sharp image and comfortable operation, which make your work much enjoyable.

### Feature

1. Infinite Color Corrected Optical System.
2. Sensitive dimming system
3. Koehler illumination.
4. Easy carrying Handle.

### Application

BS-2042 series microscopes are ideal instruments in biological, pathological, histological, bacterial, immune, pharmacological and genetic fields. They can be widely used in medical and sanitary establishments, such as hospitals, clinics, laboratories, medical academies, colleges, universities and related research centers.

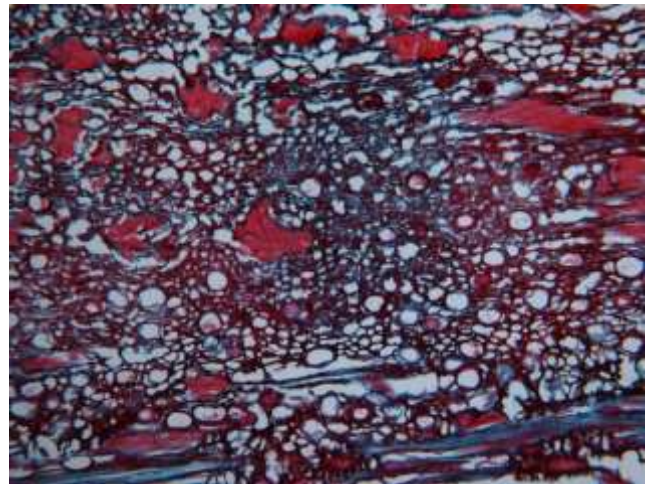
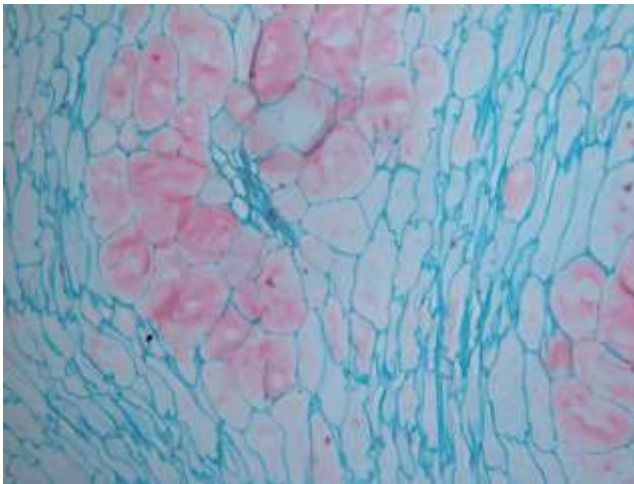
### Specification

Item	Specification	BS-2042B	BS-2042T
Optical System	Infinite Color Corrected Optical System	●	●
Viewing Head	Seidentopf binocular head, 30° inclined, Interpupillary 48-75mm	●	
	Seidentopf trinocular head, 30° inclined, Interpupillary 48-75mm, Light splitting ratio: Eyepiece:Trinocular=8:2		●
Eyepiece	Plan 10×/18mm with adjustable diopter	●	●
	Plan 10×/20mm with adjustable diopter	○	○
Objective	Infinite plan Achromatic Objectives 4×, 10×, 40×, 100×	●	●
Nosepiece	Reversed Quadruple Nosepiece	●	●
	Reversed Quintuple Nosepiece	○	○

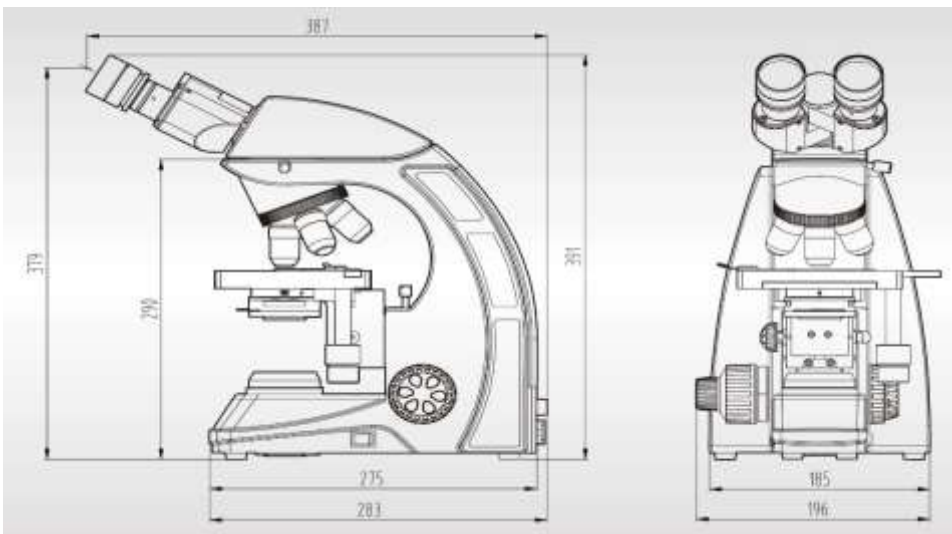
Stage	Double Layers Mechanical Stage 140mm×132mm, moving range 76mm×50mm	●	●
Condenser	NA1.25 Condenser (with slot for phase contrast and darkfield accessories)	●	●
Focusing	Coaxial focusing system with tension adjustable, coarse:25mm per rotation, with upper limit and tightness adjustment, Fine Division 0.002mm	●	●
Illumination	100V-240V, single high brightness 3W LED Koehler illumination, intensity adjustable	●	●
	100V-240V, Philips 6V/20W halogen Koehler illumination, intensity adjustable	○	○
Optional accessories	Phase Contrast Kit	○	○
	Dark Field Attachment	○	○
	Polarizing attachment	○	○
	Video & photo accessories (1/3×, 1/2×, 1× C-mount)		○
	Various filters (Blue, Green, Yellow and frosted)	○	○

Note: ● Standard Outfit, ○ Optional

### Sample Image



### Dimension



Unit:mm