

11. BS-6023B/BD Metallurgical Microscope



BS-6023BD

Introduction

BS-6023B/BD metallurgical microscopes are high level professional microscopes which are specially designed for metallurgical analysis. These microscopes can be used for bright field, dark field, polarizing and DIC observation. With compact structure, excellent optical system and abundant outfit, they can be your best support in research and daily work. The structure is convenient for large-size and thick specimens.

Feature

1. Can be used for bright field, dark field, simple polarization and DIC observation, compact and flexible.
2. Halogen light, 150W cold light source, 40W LED cold light source are available, the brightness is sufficient to meet a variety of observation requirements.
3. Large base, high column. Convenient for large-size LCD panel, PCB board and thicker or larger sample observation.
4. Ideal instrument for metallurgical analysis, industry inspection and science research.

Application

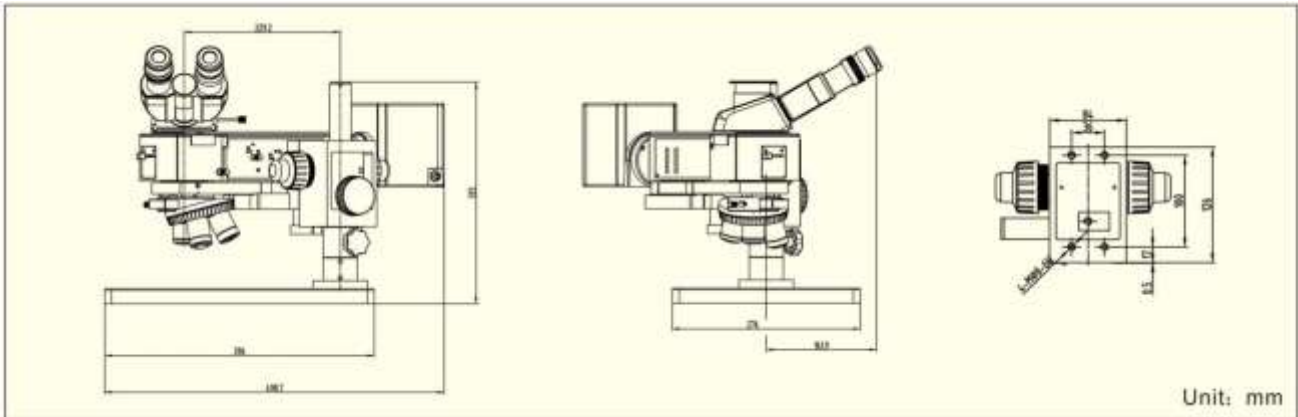
BS-6023B/BD are widely used in institutes and laboratories to observe and identify the structure of various metal and alloy, they also can be used in electronics, chemical and instrumentation industry, observe the opaque material and transparent material, such as metal, ceramics, integrated circuits, electronic chips, printed circuit boards, LCD panels, film, powder, toner, wire, fibers, plated coatings, other non-metallic materials and so on.

Specification

Item	Specification	BS-6023B	BS-6023BD
Optical System	Infinite optical system	●	●
Viewing Head	Siedentopf trinocular viewing head, inclined at 30°, rotate 360°, interpupillary distance 48mm-75mm, light distribution: 80:20	●	●
Eyepiece	Extra wide field eyepiece EW10×/22mm, eyepiece tube Ø30mm	●	
Infinite Plan Achromatic Objective	5×/ 0.12/∞/ - (BF) WD 15.5mm	●	
	10×/ 0.25/∞/ - (BF) WD 10.0mm	●	
	20×/ 0.4/∞/ 0 (BF) WD 5.8mm	●	
	50×/ 0.75/∞/ 0 (BF) WD 0.32mm	●	
	100×/ 0.8/∞/ 0 (BF) WD 2.0mm	●	
	5×/ 0.12/∞/ - (BF&DF) WD 12.0mm		●
	10×/ 0.25/∞/ - (BF&DF) WD 10.0mm		●
	20×/ 0.4/∞/ 0 (BF&DF) WD 4.3mm		●
	50×/ 0.75/∞/ 0 (BF&DF) WD 0.32mm		●
	100×/ 0.8/∞/ 0 (BF&DF) WD 2.0mm		●
DIC	DIC Attachment 20×, 100×	○	○
Reflected Light	24V/100W Halogen light, Brightness adjustable	●	●
	150W Cold Light, Brightness adjustable	○	○
	40W LED illumination, Brightness adjustable	○	○
	Polarizer and analyzer	○	○
	Blue, Green, Yellow and Frosted filter	●	●
Focusing	Coaxial coarse and fine adjustment, Fine Division 0.001mm, Moving Range 32mm	●	●
Nosepiece	Backward quintuple nosepiece	●	●
Stand	Size of the base: 396×276mm×22mm, the height of the column 300mm, diameter 30mm	●	●
Accessories	Specimen Presser	○	○
	Photo Attachment for Nikon or Canon DSLR camera	○	○
	Video Attachment, C-Mount 1×, 0.5×	○	○

Note: ●Standard Outfit, ○Optional

Dimension



Accessory



Specimen Presser



DIC Attachment

Sample Image

