



# DEFENDER® 5000

Floor Scale



## *Prime German-Quality Floor Scales Fulfill Even the Most Demanding Industrial Applications*

The OHAUS next generation Defender 5000 series Floor Scale, are a solid lineup of floor and pit mount scales that do not compromise on quality for industrial applications. Powered by four stainless steel IP68 hermetically-sealed load cells that will withstand years of daily usage in industrial environments, these scales offer a unique combination of affordability, versatility and quality that your company can depend on for years.

### *Standard Features:*

- OHAUS Defender 5000 series Floor Scale is equipped with a new TD52 series indicator with an easy-to-use keypad, large backlit display and plain text on-screen prompts which guide you through operation.
- Four IP68 electro-polished stainless steel load cells that are laser-weld, hermetically-sealed and OIML-certified are standard on all models.
- Combination floor-pit mount design provides versatility for portable or stationary placement, above or below ground installation.
- Features common industrial modes and supports a 50,000-item library with 1,000 user profiles for easy data management. GMP/GLP with time/date for result traceability.

Supply & Distributed By:



[WWW.WAGAGROUP.LK](http://WWW.WAGAGROUP.LK)

**WAGA Instrument (PVT) Ltd**

275/B, Railway Road, Maharagama. Sri Lanka

+94 112 088 230 / +94 112 088 231

sales@wagagroup.lk

# DEFENDER® 5000 Floor Scale

## Components and Features

### Two Eye Bolts and Four Mounting Dowels:

- Threaded eye bolts are included for ease of lifting and installation
- Eye bolts are made of galvanized mild steel
- Floor mounting dowels are made of mild steel or stainless steel



### Four Load Cell Mounted Stainless Steel Feet:

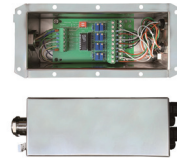
- Pendulum design ensures even footing to the ground
- Includes removable rubber cap to minimize slippage
- Feet are height adjustable and can be locked into position to ensure consistent leveling



### Junction Box:

Easy access from the top of the platform

- Stainless steel (AISI304) IP67 dust and water immersion protection for the potentiometers and summing board housed in the enclosure
- Enclosure Size: 193L x 75W x 45H mm, Cable Length: 5m



### Multi-Purpose Cleaner:

- Included with stainless steel models
- Multi-purpose rust protectant / cleaning oil safe for food industry



## Available Accessories

### Pit Frames

#### Two Eye Bolts and Four Mounting Dowels

- For DFF Models: Black painted mild steel
- For DFG Models: Stainless steel (AISI 304)

Platform Size (mm)	Actual Dimensions (mm)	Mild Steel Part Number	Stainless Part Number
800 x 800	890 x 890 x 90H	22015392	22015493
1,000 x 1,000	1,090 x 1,090 x 90H	22015393	22015494
1,250 x 1,500	1,340 x 1,590 x 90H	22015394	22015495
1,500 x 1,500	1,590 x 1,590 x 90H	22015396	22015496

### Features

- Multiple fixing brackets that help to anchor the frame to the wall
- Tapered foot mounting guides for easy installation of floor-pit mount platforms



### Ramps

#### Two Eye Bolts and Four Mounting Dowels

- For DFF Models: Black painted mild steel
- For DFG Models: Stainless steel (AISI 304)

Width (mm)	Length (mm)	Mild Steel Part Number	Stainless Part Number
800	830	22015464	22015473
1,000	830	22015465	22015474
1,250	830	22015466	22015475
1,500	830	22015467	22015476

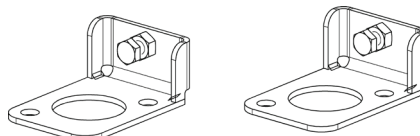
### Features

- DF series ramps are made of 5mm thick metal (mild steel or stainless steel) with bottom support channels that resist bending during heavy loads



### Foot Plates

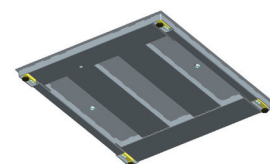
#### One Set of Two Foot Plates including Four Mounting Bolts



Item Description	Part Number
Mild Steel	22015499
Stainless Steel	22015581

### Defender 5000 series Floor Scale Bottom

- Steel channel design for structural toughness
- 4 x load cell mounted stainless steel swivel feet
- 4 x stainless steel IP68 load cells in all models



# DEFENDER® 5000 Floor Scale

Platform Dimensions (A x B)	Platform Models			
800 x 800 mm (S) Fixed top plate 4mm thick	DF300F1S DF300G1S	DF600F1S DF600G1S		
1,000 x 1,000 mm (R) Fixed top plate 4mm thick	DF300F1R DF300G1R	DF600F1R DF600G1R	DF1500F1R a/ DF1500G1R a/	
1,250 x 1,500 mm (LX) Fixed top plate 6mm thick		DF600F1LX DF600G1LX	DF1500F1LX a/ DF1500G1LX a/	DF3000F1LX a/ DF3000G1LX a/
1,500 x 1,500 mm (X) Fixed top plate 6mm thick		DF600F1X DF600G1X	DF1500F1X a/ DF1500G1X a/	DF3000F1X a/ DF3000G1X a/
1,500 x 2,000 mm (XV) Fixed top plate 6mm thick			DF1500F1XV b/	DF3000F1XV b/
Material: DFxxxF1 Models	Mild steel, black painted, non-treaded surface			
Material: DFxxxG1 Models	Stainless steel (AISI 304), bead blasted, non-treaded surface			
Platform Capacity	300kg	600kg	1500kg	3000kg
Maximum Safe Static Load: with Central Load with Side Load with Corner Load"	1,000 kg 800 kg 400 kg"	3,000 kg 2,000 kg 1,000 kg	a/4,500 kg a/3,000 kg a/1,500 kg"	b/3,300 kg b/2,200 kg b/1,000 kg
Feet	4 x swivel design, stainless steel with rubber caps, adjustable height			
Load Cell Model	4 x OHAUS SBH, double-bending beam, OIML-certified			4 x 0745A, double-bending beam, OIML-certified
Load Cell Capacity Emax	250 kg	500 kg	1,000 kg	1,100 kg
Load Cell Safe Overload Limit	150% of Emax			
Load Cell Material	Stainless steel, electro-polished			
Load Cell Protection	IP68, laser-weld hermetically sealed			
Load Cell Output Impedance	350 $\Omega \pm 1 \Omega$			
Load Cell Excitation Voltage	5V ~ 15V, DC/AC			
Load Cell Cable Length	3.1 m			
Junction Box	IP67, Stainless steel (AISI 304), with heavy duty 5m EasyConnect™ Cable			
Accessories	Ramps, Mounting Foot Plates, Pit Frames			
Scale Model, Non-certified, 6000d - 7500d	<b>DF52xxxx</b>			
Scale Model, EU certified, 3000e	<b>DF52xxxx-M</b>			
Indicator	TD52P		TD52XW	
Material and Protection	ABS plastic		Stainless steel (304), IP68	
Weighing Units	kg, g, lb, oz, lb:oz, t, ton, custom			
Application Modes	Basic Weighing, Percent Weighing, Piece Counting with Optimized APW, Checkweighing/Checkcounting, Dynamic Weighing/Display Hold			
Displays	Dot matrix LCD with white LED backlight, 256 x 80 pixels			
Interface	Standard RS232, 8GB MicroSD Card (included) Optional Ethernet, WiFi/Bluetooth, 2nd RS232/RS485/USB, Analog Output, 2 In/4 Out Digital I/O			
Power	100-240 VAC / 50/60 Hz Universal Power Supply, Hardwired (TD52XW) or Line Cord (TD52P), Rechargeable Lithium battery (optional)			

# DEFENDER® 5000 Floor Scale

## Other Standard Features and Equipment

Structural channel bracing and pendulum design feet with removable rubber cap, 150% overload protection, checkweighing symbols with selectable operation and audible signal settings, menu lock switch, multiple selectable operating languages, selectable environmental and auto-print settings, stability indicator, overload/underload indicators, selectable adjust contrast settings, auto-dim display, auto-off, auto tare.

## Compliance

- Metrology: EN 45501:2015 (Certificate T11213, Scale models DF52xxxx-M only)
- Product Safety: IEC/EN 61010-1
- Electromagnetic Compatibility: IEC/EN 61326-1 Class B, basic environments
- Compliance Marks: CE, WEEE

## Accessories

Pit Frame DF Painted F1S .....	22015392	Battery Kit, Li-ion, TD52.....	30424405
Pit Frame DF Painted F1R .....	22015393	USB Host for Dongle, TD52.....	30424406
Pit Frame DF Painted F1LX.....	22015394	Light Tower, 3 Colors, 243mm, IP65 (requires 30097591)....	30424021
Pit Frame DF Painted F1X .....	22015396	In-use Cover Kit, TD52P .....	30424022
Pit Frame DF Painted F1XV.....	22015397	In-use Cover Kit, TD52XW .....	30424023
Ramp DF Painted F1 800.....	22015464	In-use Cover Set (10), TD52P .....	30469948
Ramp DF Painted F1 1000.....	22015465	In-use Cover Set (10), TD52XW .....	30469949
Ramp DF Painted F1 1250.....	22015466	Wall Mount Kit, SST, TD52XW .....	30424026
Ramp DF Painted F1 1500.....	22015467	Wall Mount Kit, CS, TD52P .....	30424027
Footplates DF Painted F1 Set (2).....	22015499	LC Extension Cable, 9m, D52 <sup>1</sup> .....	30424409
Footplates DF SS G1 Set (2) .....	22015581	Ethernet Kit, D52 <sup>2</sup> .....	30429666
Pit Frame DF SS G1S .....	22015493	Printer SF40A .....	30064202
Pit Frame DF SS G1R.....	22015494	M16 Gland with Ferrite, to TD52.....	30379716
Pit Frame DF SS G1LX.....	22015495	Micro SD Card, 8G .....	30303533
Pit Frame DF SS G1X.....	22015496	Analog Output Kit, TD52 <sup>3</sup> .....	30424403
Ramp DF SS G1 800.....	22015473	Second RS232/RS485/USB Kit, TD52 <sup>3</sup> .....	30424404
Ramp DF SS G1 1000 .....	22015474	I/O with Relay (2 In/4 Out) <sup>3</sup> .....	30097591
Ramp DF SS G1 1250 .....	22015475	WiFi/BT Dongle, OHAUS <sup>2</sup> (Requires 30424406) .....	30412537
Ramp DF SS G1 1500 .....	22015476	Cable, RS232, for TD52XW .....	80500552
Column Kit, Painted, Floor Scale.....	30047153	Cable, RS232, for TD52P .....	80500525
Column Kit, SST, Floor Scale.....	30047154	Cable, RS232, 1.5m, Reference Balance .....	30057595

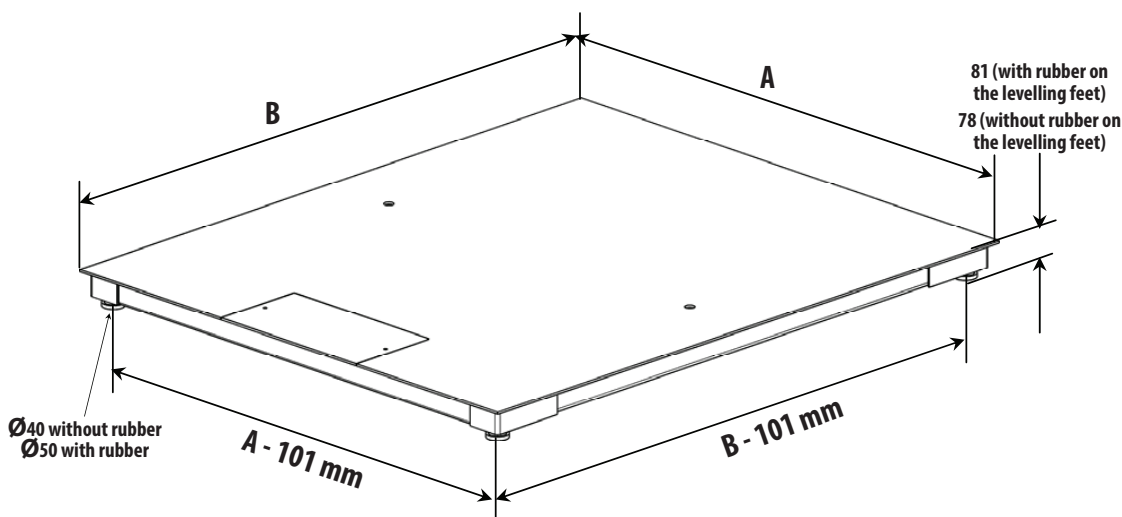
<sup>1</sup> Cannot be used for legal-for-trade applications

<sup>2</sup> Only one of them can be used at the same time

<sup>3</sup> Only one of them can be used at the same time

## Outline Dimensions

Dimensions	DF...S	DF...R	DF...LX	DF...X	DF...XV
A	800	1000	1250	1500	1500
B	800	1000	1500	1500	2000



80776326\_C\_20200915 © Copyright OHAUS Corporation

OHAUS Europe GmbH  
Heuwinkelstrasse 3,  
8606 Nänikon,  
Switzerland

e-mail: ssc@ohaus.com  
Tel: 0041 22 567 53 19  
e-mail: tsc@ohaus.com  
Tel: 0041 22 567 53 20

[www.ohaus.com](http://www.ohaus.com)

The management system  
governing the manufacture  
of this product is  
ISO 9001:2015 certified.

